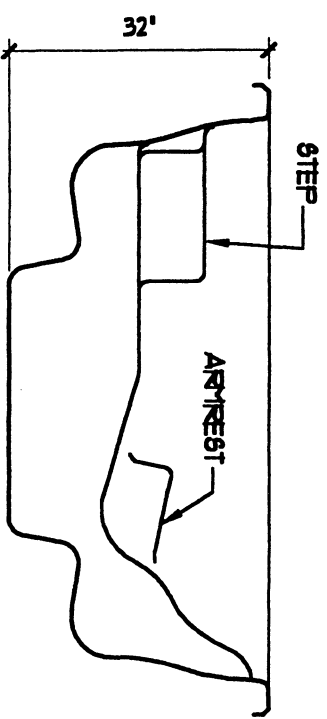
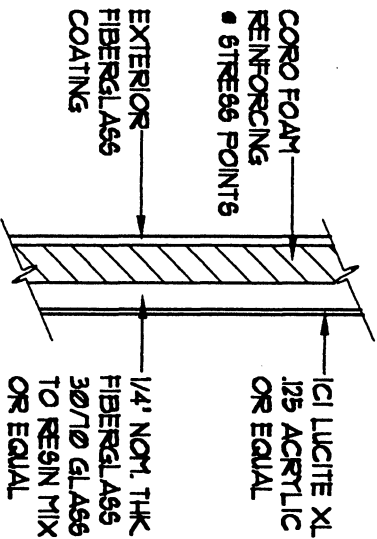


PLAN
SCALE: 1/2"=1'-0"

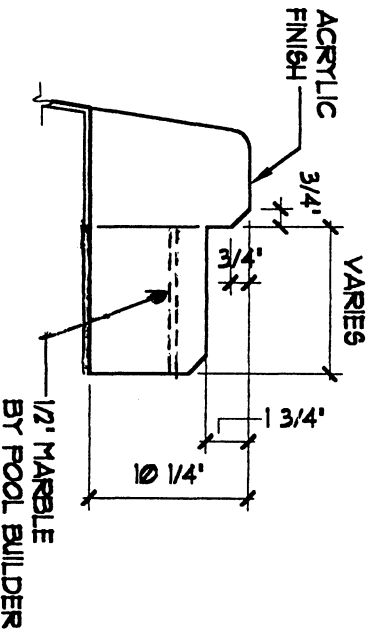


SECTION - AA
SCALE: 1/2"=1'-0"

- SPECIFICATIONS**
- 18' L X 18' W X 32' DEEP
 - WATER VOLUME - 3000 GAL.
 - SEATS 6 ADULTS
 - 3 SOFA CONTOURS
 - 2 LOUNGE CONTOURS
 - 1 HAMMOCK CONTOUR
 - SLIP RESISTANT STEP & BOTTOM
 - SHIP WEIGHT 500 LBS. ± W/ CRATE



TYP. WALL SECTION
NOT TO SCALE



SECTION - B
NOT TO SCALE

MODEL NO. **SW-502**



REVISIONS	BY

SPECIFICATION DRAWING FOR
SUSSEX SPILLWAY SPA
MODEL NO. SW-502

BAKER MFG. CORP.
Manufacturers of:
Spillway Spas • Natural Spas
Natural Whirlpool Baths
7460 Chancellor Drive
Orlando, FL 32809

DATE	5-19-97
SCALE	AS NOTED
DRAWN BY	RKN
APPROVED BY	TC
DRAWING NUMBER	5-52