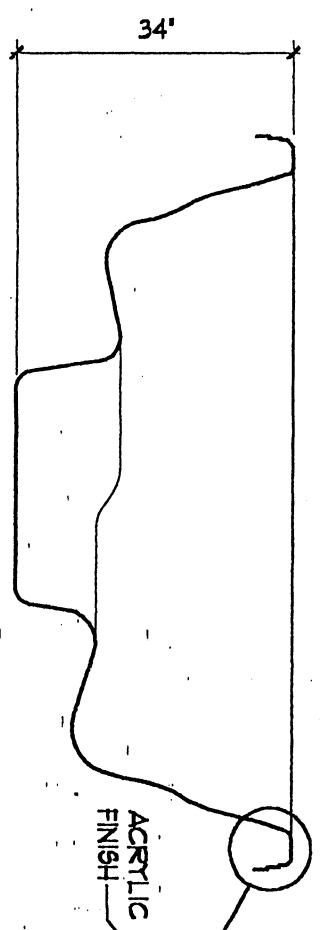
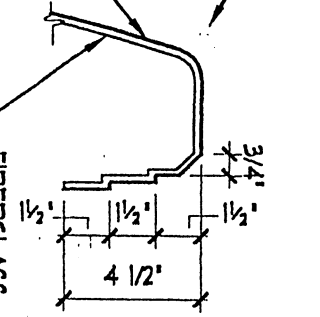


PLAN  
SCALE: 1/2"=1'-0"

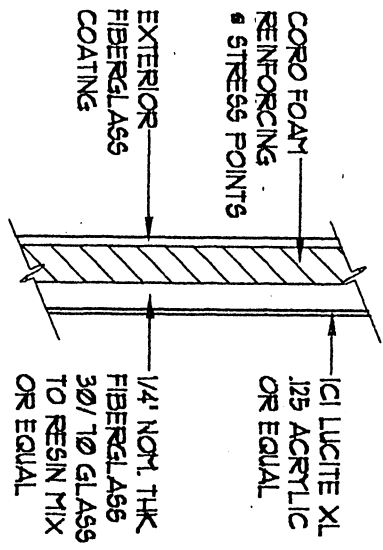


SECTION - AA  
SCALE: 1/2"=1'-0"  
MODEL NO. NS-304



SECTION - BB  
SCALE: 1/2"=1'-0"

TYP. WALL SECTION  
NOT TO SCALE



**SPECIFICATIONS**

- 90" L X 90" W X 34" DEEP
- WATER VOLUME - 400± GAL.
- SEATS & ADULTS
- SOFA CONTOUR
- LOUNGE CONTOUR
- SLIP RESISTANT STEPS & BOTTOM
- SHIP WEIGHT 420 LBS± W/ CRATE

SPECIFICATION DRAWING FOR  
DELEMERE WHIRLPOOL SPA  
MODEL NO. NS-304

REVISIONS	BY
1998 UPDATE	RN
2000 UPDATE	RN

DATE	1-12-88
SCALE	AS NOTED
DRAWN BY	RN
APPROVED BY	TC
DRAWING NUMBER	S-34