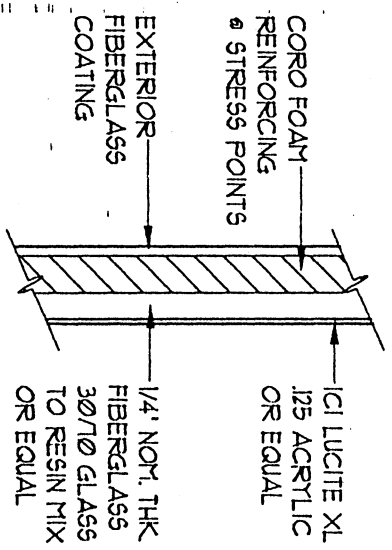


SPECIFICATIONS

- 51" L X 81" W X 31" DEEP
- WATER VOLUME - 240± GAL.
- SEATS 3 ADULTS
- 1 SOFA CONTOUR
- 1 LOUNGE CONTOUR
- 1 HARMOCK CONTOUR
- SLIP RESISTANT STEP & BOTTOM
- SHIP WEIGHT 400 LBS.± W/ CRATE

TYP. WALL SECTION
NOT TO SCALE



MODEL NO. NS-207



Handwritten signature and date: 3-14-97

REVISIONS	BY

DAKER MFG. CORP.	
Manufacturers of:	
Spillway Spas • Natural Spas	
Natural Whirlpool Baths	
7460 Chancellor Drive	
Orlando, FL 32809	

SPECIFICATION DRAWING FOR	
CARLTON WHIRLPOOL SPA	
MODEL NO. NS-207	

DATE	10-1-96
SCALE	AS NOTED
DRAWN BY	BGN
APPROVED BY	RKN
DRAWING NUMBER	5-271