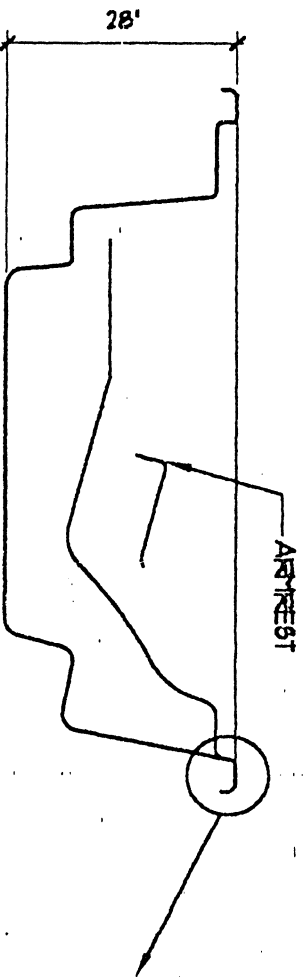




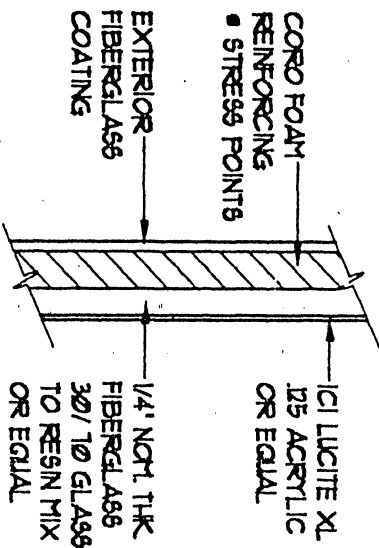
**PLAN**  
SCALE: 1/2" = 1'-0"



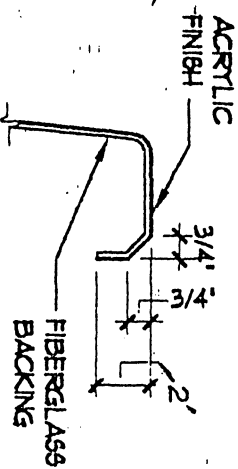
**SECTION - AA**  
SCALE: 1/2" = 1'-0"

**SPECIFICATIONS**

- 88" L X 13" W X 28" DEEP
- WATER VOLUME - 300± GAL.
- SEATS & ADULTS
- 1 HARTMOCK CONTOUR
- 2 LOUNGE CONTOURS
- 2 SOFA CONTOURS
- SLIP RESISTANT STEP & BOTTOM
- SHIP WEIGHT 370 LBS. W/ CRATE



**TYP. WALL SECTION**  
NOT TO SCALE



MODEL NO. NS-203



REVISIONS	BY
△ ROUNDED CORNERS	RKN
△ UPDATE	RKN

SPECIFICATION DRAWING FOR  
HAMPTON WHIRLPOOL SPA  
MODEL NO. NS-203

**BAKER MFG. CORP.**  
Manufacturers of:  
Spillway Spas • Natural Spas  
Natural Whirlpool Baths  
7460 Chancellor Drive  
Orlando, FL 32809

DATE	2-2-89
SCALE	AS NOTED
DRAWN BY	ESN
APPROVED BY	RKN
DRAWING NUMBER	5-23