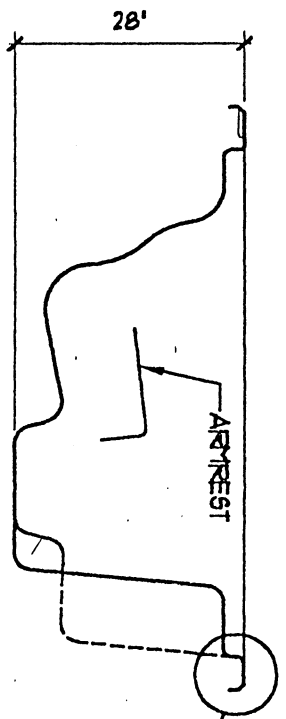


PLAN
SCALE: 1/2" = 1'-0"

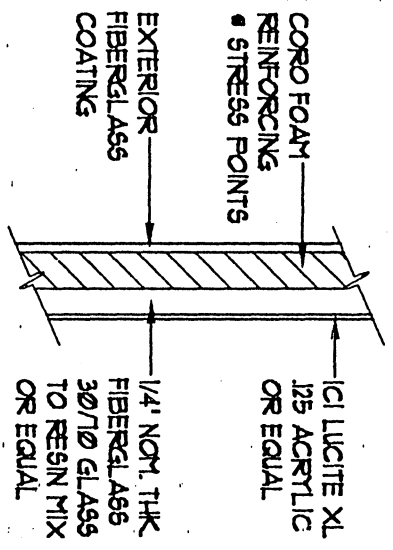


SECTION - AA
SCALE: 1/2" = 1'-0"

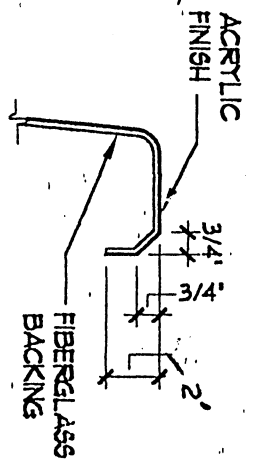
MODEL NO. NS-201

SPECIFICATIONS

- 13' L X 54" W X 28" DEEP
- WATER VOLUME - 200± GAL.
- SEATS 2 ADULTS & 2 CHILDREN
- 1 DOUBLE LOUNGE CONTOUR
- 2 MINI SEATS
- SLIP RESISTANT BOTTOM
- SHIP WEIGHT 350 LBS.± W/ CRATE



TYP. WALL SECTION
NOT TO SCALE



REVISIONS	BY

SPECIFICATION DRAWING FOR
VICTORIAN WHIRLPOOL SPA
MODEL NO. NS-201

BAKER MFG. CORP.
Manufacturers of:
Spillway Spas • Natural Spas
Natural Whirlpool Baths
7460 Chancellor Drive
Orlando, FL 32809

DATE	5-14-91
SCALE	A5 NOTED
DRAWN BY	BSN
APPROVED BY	RKN
DRAWING NUMBER	5-21